

## SWIVEL CONNECTORS FOR THREADED CONDUITS FOR OUTDOOR USE

### PRODUCT TYPE

SWIVEL THREAD METAL CONNECTOR / MALE TYPE IP65

### PRODUCT CODE

DMRY-G. GAS THREADED

### MANUFACTURER

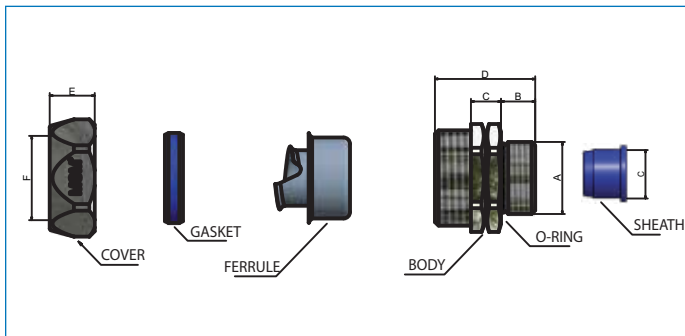
MSM ENGINEERING

### MATERIAL

MS-58 BRASS

### COATING

NICKEL PLATED



### CERTIFICATES



MSM Code	Gas Size	Suitable Flex. Cond. Type	A (mm)	B (mm)	C (mm)	D (mm)	E (mm)	F (mm)
DMRY-G1	1/4"	MN..-ML.. 10	13,157	8,00	7,00	21,50	11,00	15,00
DMRY-G2	3/8"	MN..-ML.. 13	16,662	10,00	7,00	25,80	11,50	18,00
DMRY-G3	1/2"	MN..-ML.. 16	20,955	10,00	7,00	26,00	13,00	22,00
DMRY-G4	3/4"	MN..-ML.. 21	26,441	11,00	7,50	28,50	13,00	27,00
DMRY-G5	1"	MN..-ML.. 26	33,249	14,50	10,00	39,00	14,50	33,00
DMRY-G6	1 1/4"	MN..-ML..35	41,910	16,50	12,00	41,00	18,00	42,00
DMRY-G7	1 1/2"	MN..-ML.. 40	47,803	18,00	13,00	45,00	19,50	48,00
DMRY-G8	2"	MN..-ML.. 52	59,614	20,00	13,50	49,00	23,00	60,00
DMRY-G9	2 1/2"	MN..-ML.. 63	75,184	-	-	-	-	73,00
DMRY-G10	3"	MN..-ML.. 78	87,884	-	-	-	-	89,00
DMRY-G11	4"	MN..-ML.. 102	113,030	-	-	-	-	113,00

### Usage Areas

Especially used in construction of industrial buildings, workshops, ships etc. suitable for wet conditions and outdoor use.

Can also be produced in metal with electro-galvanized coating.

## SWIVEL CONNECTORS FOR THREADED CONDUITS FOR OUTDOOR USE

### PRODUCT TYPE

SWIVEL THREAD METAL CONNECTOR / MALE TYPE IP65

### PRODUCT CODE

DMRY-N. NPT THREADED

### MANUFACTURER

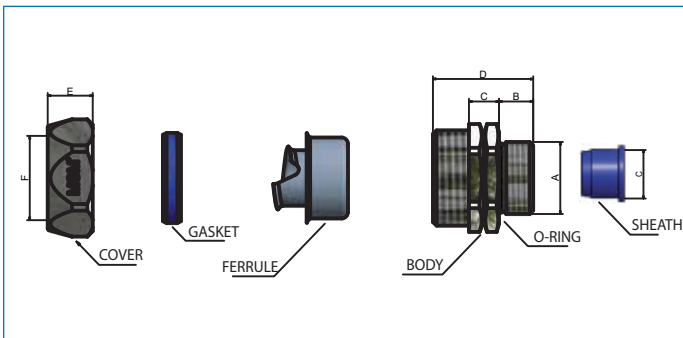
MSM ENGINEERING

### MATERIAL

MS-58 BRASS

### COATING

NICKEL PLATED



### CERTIFICATES



MSM Code	NPT Size	Suitable Flex. Cond. Type	A (mm)	B (mm)	C (mm)	D (mm)	E (mm)	F (mm)
DMRY-N1	1/4"	MN..-ML.. 10	13,157	8,00	7,00	21,50	11,00	15,00
DMRY-N2	3/8"	MN..-ML.. 13	16,662	10,00	7,00	25,80	11,50	18,00
DMRY-N3	1/2"	MN..-ML.. 16	20,955	10,00	7,00	26,00	13,00	22,00
DMRY-N4	3/4"	MN..-ML.. 21	26,441	11,00	7,50	28,50	13,00	27,00
DMRY-N5	1"	MN..-ML.. 26	33,249	14,50	10,00	39,00	14,50	33,00
DMRY-N6	1 1/4"	MN..-ML..35	41,910	16,50	12,00	41,00	18,00	42,00
DMRY-N7	1 1/2"	MN..-ML.. 40	47,803	18,00	13,00	45,00	19,50	48,00
DMRY-N8	2"	MN..-ML.. 52	59,614	20,00	13,50	49,00	23,00	60,00
DMRY-N9	2 1/2"	MN..-ML.. 63	75,184	-	-	-	-	73,00
DMRY-N10	3"	MN..-ML.. 78	87,884	-	-	-	-	89,00
DMRY-N11	4"	MN..-ML.. 102	113,030	-	-	-	-	113,00

### Usage Areas

Especially used in construction of industrial buildings, workshops, ships etc. suitable for wet conditions and outdoor use.

Can also be produced in metal with electro-galvanized coating.

## SWIVEL CONNECTORS FOR THREADED CONDUITS FOR OUTDOOR USE

### PRODUCT TYPE

SWIVEL THREAD METAL CONNECTOR / MALE TYPE IP65

### PRODUCT CODE

DMRY-M. METRIC THREADED

### MANUFACTURER

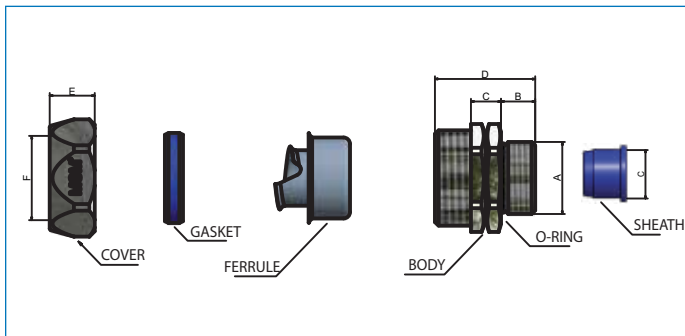
MSM ENGINEERING

### MATERIAL

MS-58 BRASS

### COATING

NICKEL PLATED



### CERTIFICATES



MSM Code	Metrik Size	Suitable Flex. Cond. Type	A (mm)	B (mm)	C (mm)	D (mm)	E (mm)	F (mm)
DMRY-M1	M12x1,5	MN..-ML.. 10	12,00	8,00	7,00	21,50	11,00	15,00
DMRY-M2	M16x1,5	MN..-ML.. 13	16,00	10,00	7,00	25,80	11,50	18,00
DMRY-M3	M20x1,5	MN..-ML.. 16	20,00	10,00	7,00	26,00	13,00	22,00
DMRY-M4	M25x1,5	MN..-ML.. 21	25,00	11,00	7,50	28,50	13,00	27,00
DMRY-M5	M32x1,5	MN..-ML.. 26	32,00	14,50	10,00	39,00	14,50	33,00
DMRY-M6	M40x1,5	MN..-ML..35	40,00	16,50	12,00	41,00	18,00	42,00
DMRY-M7	M50x1,5	MN..-ML.. 40	50,00	18,00	13,00	45,00	19,50	48,00
DMRY-M8	M63x1,5	MN..-ML.. 52	60,00	20,00	13,50	49,00	23,00	60,00
DMRY-M9	M75x1,5	MN..-ML.. 63	75,00	-	-	-	-	73,00
DMRY-M10	M80x1,5	MN..-ML.. 78	80,00	-	-	-	-	89,00
DMRY-M11	M90x1,5	MN..-ML.. 102	90,00	-	-	-	-	113,00

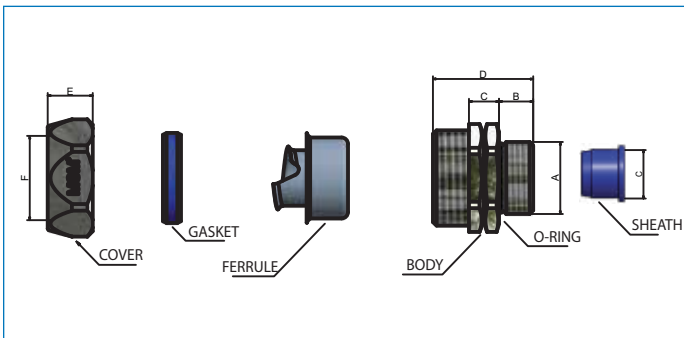
### Usage Areas

Especially used in construction of industrial buildings, workshops, ships etc. suitable for wet conditions and outdoor use.

Can also be produced in metal with electro-galvanized coating.

## SWIVEL CONNECTORS FOR THREADED CONDUITS FOR OUTDOOR USE

PRODUCT TYPE	
SWIVEL THREAD METAL CONNECTOR / MALE TYPE	IP65
PRODUCT CODE	
DMRY-P.	Pg THREADED
MANUFACTURER	
MSM ENGINEERING	
MATERIAL	
MS-58 BRASS	
COATING	
NICKEL PLAETED	



MSM Code	Pg Size	Suitable Flex. Cond. Type	A (mm)	B (mm)	C (mm)	D (mm)	E (mm)	F (mm)
DMRY-P1	Pg 7	MN..-ML.. 10	12,50	7,00	6,00	19,30	10,00	15,00
DMRY-P2	Pg 9	MN..-ML.. 10	15,20	8,00	7,00	21,50	11,00	15,00
DMRY-P3	Pg 11	MN..-ML.. 13	18,60	10,00	7,00	25,80	11,50	18,00
DMRY-P4	Pg 13	MN..-ML.. 16	20,40	10,00	7,00	26,00	13,00	22,00
DMRY-P5	Pg 16	MN..-ML.. 16	22,50	11,00	7,50	28,50	13,00	22,00
DMRY-P6	Pg 21	MN..-ML.. 21	28,30	14,50	10,00	39,00	14,50	27,00
DMRY-P7	Pg 29	MN..-ML.. 26	37,00	16,50	12,00	41,00	18,00	33,00
DMRY-P8	Pg 36	MN..-ML..35	47,00	18,00	13,00	45,00	19,50	42,00
DMRY-P9	Pg 42	MN..-ML.. 40	54,00	20,00	13,50	49,00	23,00	48,00
DMRY-P10	Pg 48	MN..-ML.. 52	59,30	22,00	14,00	54,00	26,00	60,00

**Usage Areas**

Especially used in construction of industrial buildings, workshops, ships etc. suitable for wet conditions and outdoor use.  
Can also be produced in metal with electro-galvanized coating.