

RIGID METAL CONDUIT ACCESSORIES - 3

PRODUCT TYPE

"G" PROFILE WITH HOLES- PVC PROFILE PLUG

PRODUCT CODE

GP-0.

MANUFACTURER

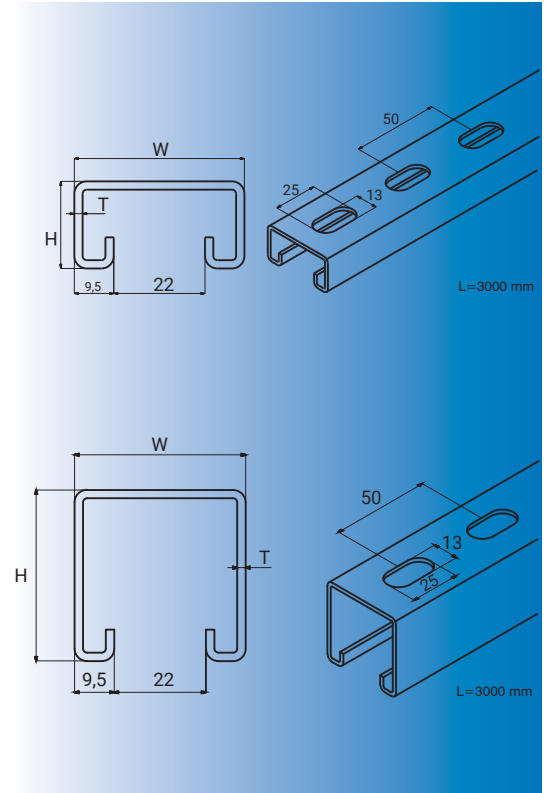
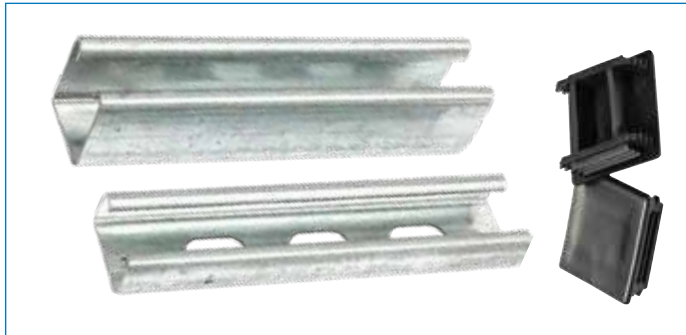
PRO-STAR

MATERIAL

GALVANIZED STEEL

COATING

PRE GALVANIZED / Optional HOT DIP GALVANIZED



CERTIFICATES



MSM Code	W (mm)	H (mm)	T (mm)	L (mm)	Material Feature
GP-01.P	41	21	2,0	3000	Metal+Pre-Galv.Coated
GP-02.P	41	41	2,0	3000	Metal+Pre-Galv.Coated
GP-01.E	41	21	2,0	3000	Metal+Electro-Galv.Coated
GP-02.E	41	41	2,0	3000	Metal+Electro-Galv.Coated
GP-01.H	41	21	2,0	3000	Metal+Hot-Dip Galv.Coated
GP-02.H	41	41	2,0	3000	Metal+Hot-Dip Galv.Coated
GP-01.S	41	21	2,0	3000	Stainless Steel
GP-02.S	41	41	2,0	3000	Stainless Steel
PT-01	41	41	-	-	PVC
PT-02	41	21	-	-	PVC

Note:

Standard lengths are 3,0 meters. It can be produced in special lengths.

There are also productions without holes and wall thicknesses of 1,5-2,5 mm.