

## RIGID METAL CONDUIT ACCESSORIES - 3

### PRODUCT TYPE

PROFILE HANGING VISE

### PRODUCT CODE

PAM-M.

### MANUFACTURER

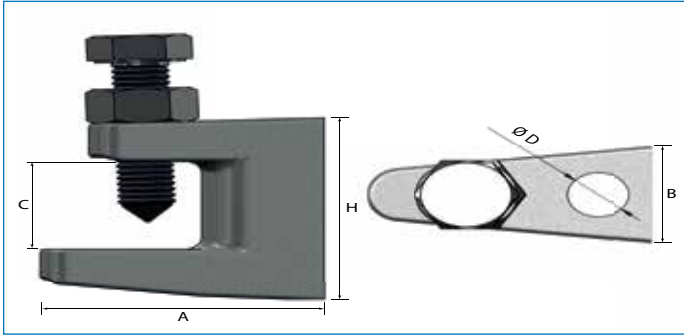
MSM ENGINEERING

### MATERIAL

CAST IRON

### COATING

ELECTRO GALVANIZED



### CERTIFICATES



MSM Code	Ø D mm	A mm	B mm	C mm	H mm
PAM-M8	M8	38,0	17,7	18,5	35,0
PAM-M10	M10	44,0	20,2	20,0	40,0
PAM-M12	M12	58,0	25,1	30,0	54,0

### Usage Areas

For suspending of piping, airducts and springler systems from steel constructions and proŞles with threaded rods.

Electro galvanized against corrosion protection (Plating thickness 8-10 micron)