

## RIGID METAL CONDUIT MOUNTING ACCESSORIES

### PRODUCT TYPE

CONDUIT CLAMP WITH LONG TRIPHONE

### PRODUCT CODE

TUK-G1

### MANUFACTURER

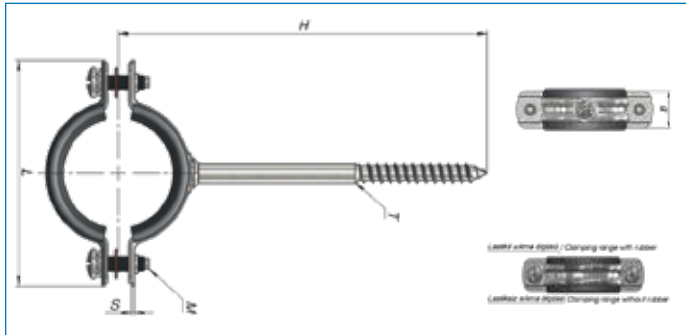
MSM

### MATERIAL

GALVANIZED STEEL

### COATING

ELECTRO GALVANIZED



### CERTIFICATES



MSM Code	Size	Clamping Range (mm)	L (mm)	H (mm)	M	SxB (mm)	T	Package Q'ty (pcs)	Package Weight (kg)
TKK-G1	1/2"	21 - 26	62,50	118,00	M5	1x20	Ø7x70	150	8,650
TKK-G2	3/4"	26 - 30	68,50	121,00	M5	1x20	Ø7x70	105	6,400
TKK-G3	1"	33 - 37	76,00	124,50	M5	1x20	Ø7x70	75	5,210
TKK-G4	1 1/4"	40 - 46	91,50	129,00	M5	1,2x20	Ø7x70	50	4,150
TKK-G5	1 1/2"	48 - 53	99,00	132,50	M5	1,2x20	Ø7x70	50	4,580
TKK-G6	2"	60 - 66	112,00	139,00	M5	1,2x20	Ø7x70	40	4,100
TKK-G7	2 1/2"	75 - 84	134,00	148,00	M6	1,5x25	Ø7x70	20	3,280
TKK-G8	3"	87 - 96	145,00	153,50	M6	1,5x25	Ø7x70	20	3,600
TKK-G9	4"	109 - 119	170,00	166,00	M6	1,5x25	Ø7x70	15	3,150

### Usage Areas

Used in the assembly of the conduits to the wall (vertically and horizontally), to the ceiling and to the ground.